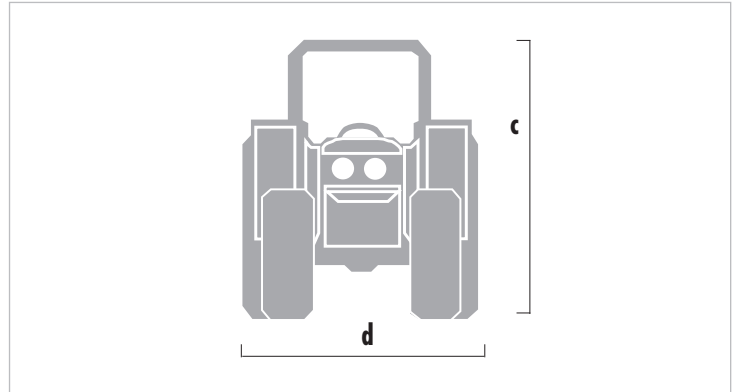
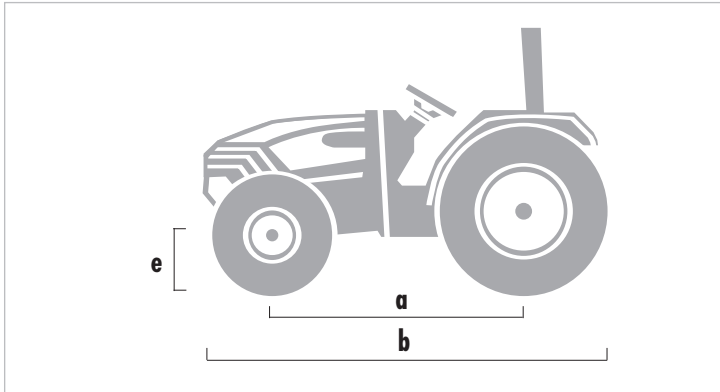


AGROLUX 57 • 67

Engine		Agrolux 57	Agrolux 67
Type		1000.3 W	1000.3 WT
Cylinders / displacement	No. / in.3 (L)	3 / 183 (3L)	
Bore / stroke	in. (mm)	4 / 4.5 (105 / 115.5)	
Crankcase capacity	U.S. gal. (L)	1.8 (6.7)	
Cooling System		Liquid	
Rated power (ECE R24)	hp (kW)	52 (38)	67 (49)
Max. power (2000/25/EC)	hp (kW)	55 (40.5)	70 (51.5)
Rated engine speed	rpm	2200	
Maximum torque	ft.-lb. (Nm)	151 (205)	188 (255)
Torque rise	%	23	22
Constant torque range	rpm	1400–1600	
Fuel tank capacity	U.S. gal. (L)	14 (53)	
POWER TRAIN			
Transmission			
Type		Mechanical, synchronized	
Reverser		Shuttle, mechanical synchronized	
Synchromplit all-wheel	F / R	20 / 10 or 30 / 15*	
Maximum speed	mph (km/h)	24 (40)	
Clutches		Single disk, dry clutch	
PTO			
Clutch		Dry clutch	
Actuation		Mechanical	
Profiles		1½" 6-spline	
PTO speed	rpm	540 / 540E; optional 540 / 540E / 1000; optional ground speed PTO	
HYDRAULIC SYSTEM			
System specs			
System		Constant flow (gear pump)	
Oil reservoir		Common, with transmission	
Main hydraulic pump capacity (powerlift)	gpm / psi (L/min / bar)	11.9 / 2,611 (45 / 180)	
Steering pump capacity	U.S. gal. (L)	4.6 (17.5)	
Oil reservoir capacity	U.S. gal. (L)	3.9 (15)	
3-point hitch and rear outlets			
Category of 3-point hitch, rear		Category 2	
Lifting capacity, rear	lbs. (kg)	6,600 (3000)	
Rear hydraulic outlets		2 (standard); 1 additional (optional)	
Electrical system			
Battery	V/Ah	12 / 100	
Alternator	amps	65	
Steering, brakes and chassis			
Steering angle		50° (4WD)	
Turning radius	ft. (m)	11.8 (3.60)	
Brakes		Hydrostatic, 4-wheel, wet disks	
Differential lock	front/rear	100% locking	
Operator's station			
Open operator's station		Platform with ROPS	
Driver's seat		KAB (standard); Grammer (optional)	

* Please refer to the valid price list for details on available transmissions.

SPECIFICATIONS



Dimensions		Agrolux 57	Agrolux 67
a Wheel base	in. (mm)	76 (1925)	80.9 (2055)
b Length / with lower links	in. (mm)	121.5 / 135 (3085 / 3425)	129 / 143 (3270 / 3635)
c Height* above ROPS	in. (mm)	90.1 (2290)	92 (2340)
d Width	in. (mm)	64.6–80.3 (1640–2040)	70–86 (1780–2180)
e Ground clearance*	in. (mm)	15 (380)	
Weights		Agrolux 57	Agrolux 67
Shipping weight	lbs. (kg)	5,247 (2380)	5,644 (2560)
Max. gross weight	lbs. (kg)	9,480 (4300)	10,582 (4800)

Track widths and tires		Agrolux 57	Agrolux 67
11.2 R 20	in. (mm)	50–69 (1266–1750)	
14.9 R 28	in. (mm)	51.3–67 (1304–1704)	
300/70 R 20	in. (mm)	53.6–65.3 (1360–1658)	
380/70 R 28	in. (mm)	60.3 (1532)	
300/70 R 20	in. (mm)	50–69 (1266–1750)	
420/70 R 24	in. (mm)	50–69 (1266–1750)	
320/70 R 20	in. (mm)	51.3–67 (1304–1704)	
420/70 R 28	in. (mm)	51.2–70.6 (1300–1792)	
11.2 R 24	in. (mm)		45.9–72.8 (1166–1850)
16.9 R 30	in. (mm)		51.2–70.9 (1300–1800)
12.4 R 20	in. (mm)		49.8–69 (1266–1754)
14.9 R 30	in. (mm)		51.2–70.9 (1300–1802)
360/70 R 20	in. (mm)		49.8–69 (1266–1754)
420/70 R 30	in. (mm)		51.2–70.9 (1300–1802)
360/70 R 20	in. (mm)		49.8–69 (1266–1754)
480/70 R 28	in. (mm)		51.2–70.9 (1300–1802)
11.2 R 24	in. (mm)		45.9–72.8 (1166–1850)
12.4 R 36	in. (mm)		47–71.2 (1194–1810)

Standard tire combinations are given on current valid price lists. Please observe motor vehicle construction and use regulations.